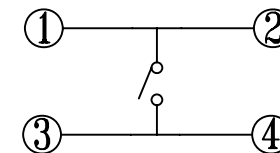
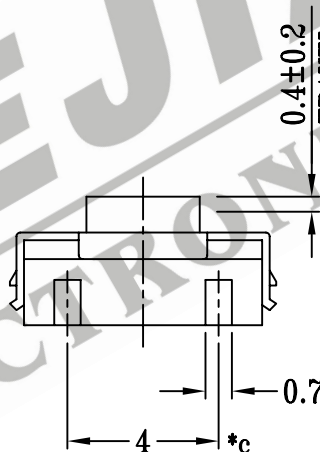
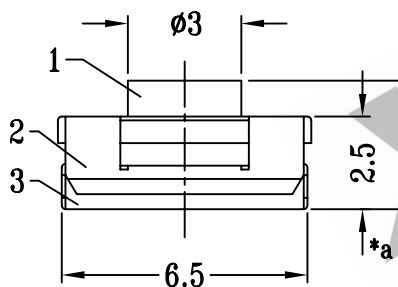
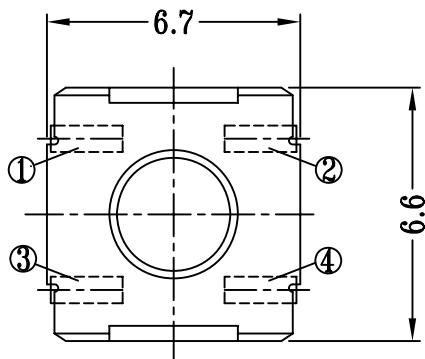
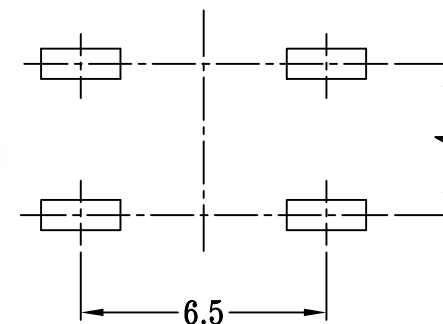


CAD FILE:



SCHMATIC



P.C.B LAYOUT

注：“*”表示关键尺寸（3个）

8					TOLERANCE UNLESS SPECIFIED	SHENZHEN XIEJIA ELECTRONICS CO.,LTD.				
7										
6					WITHIN: 1.5±0.1mm	ISSUE	DATE	DESCRIPTIONS OF REVISION		APPD.
5					OVER: 1.5±0.2mm					
4	CONTACT	PBS	1	Ag CLAD	TITLE : TACT SWITCH		UNIT : mm	DRWG NO.: XJ-DR-TD20UA-00		
3	CASE	NYLON+F.G+94V0/BRASS STRIP	1	BLACK/Ag PLATED						
2	COVER	SUS	1	WASHING	MODEL: TD-20UA		SCALE: 5:1	DWN.	ZHOUYU	2004-9-20
1	KNOB	RUBBER	1	BLUE				CHK'D	FANGYING	2004-9-20
NO.	PARTS	MATERIALS	Q'TY	FINISH	ALL MATERIALS MUST BE COMPLIANT TO ROHS			APPD.	KANGXINAN	2004-9-20